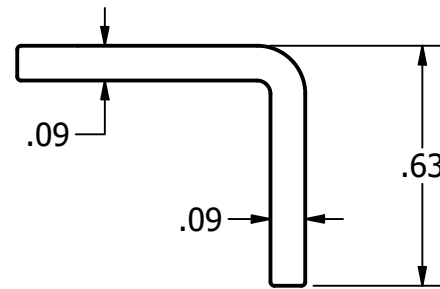
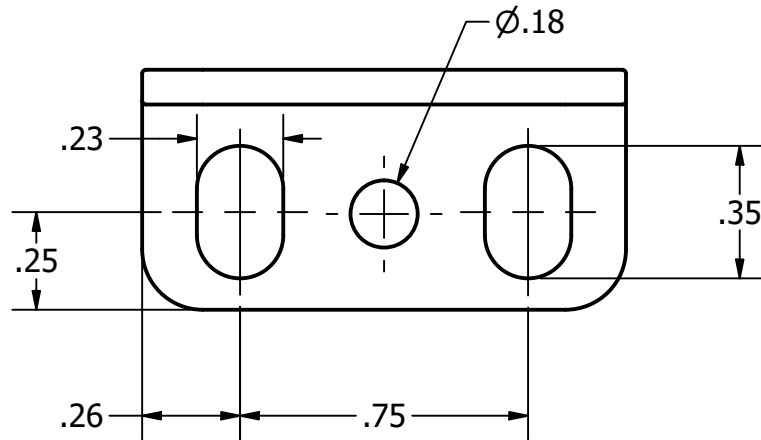
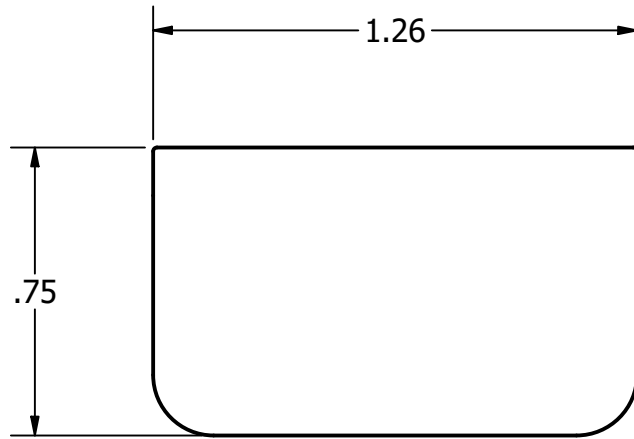


Marketing Drawing for 3172



Description
LARGER GEMINI KEEPER

Size	Part No	Units	Rev	Scale
A	3172	INCHES	4	2:1

Phone: 800.874.4506

www.gemlux.com